



# Made 2 Measure



## The Smart Balustrade Post Kit System

With Smart Assembly Features, saving you time & money

### The Company

We present ourselves as a company which has been manufacturing stainless steel accessories for over three decades. We specialise in balustrade & handrails balustrade systems, assisting the balustrading industry, to maintain high standards of quality & safety.

## Design, Innovation and Flexibility, The only True Balustrade kit Systems!

### A Quick rundown on the easy way of assembly:

- Plant your ready-made posts to the selected position and plant into place with our easy fix method.
- Once in place and planted, cut the top rail to size by cutting by hand, fit the top rail into the post sleeve by inserting the easy fix method. Secure to the post. There is no welding, mitring, nor expensive joints needed.
- Simply twist the tube infill to suit the stair angle you require. No fuss, no hassles. We have the solution.

The design of EZRail balustrade systems, has been designed and patented for the need for products that are functional.

EZRails readymade design innovations, follow the premise that sustainable design means doing the most with the least means.

Our products have been certified by SABS and meet all the safety aspects set for today's designer trends.

### Choose your Self Assembled Post Kit from the Easy Post Guide

Horizontal Tube

Glass with Top Rail

Glass without Top Rail

Pool

Cable

Vertical

Handrail Components options



# Balustrade Components



sales@ezrails.co.za

**1** Once you've made your selection, use the item codes below to add the items to your shopping cart.

## Component Options

### 15.8 In-fill Connector



### Post Sleeve Connector Kit



### Top Rail Connector



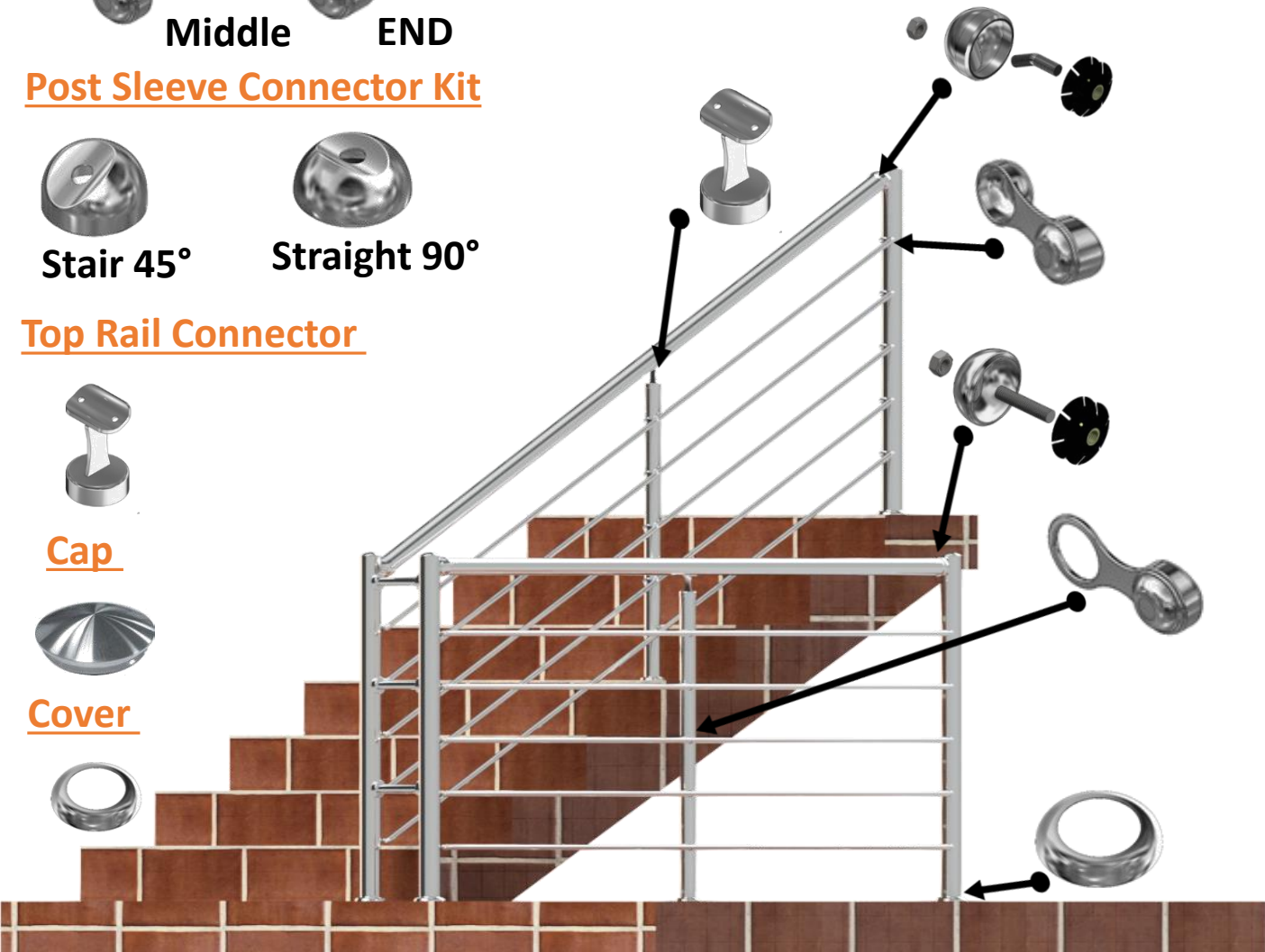
### Cap



### Cover



### How it Works



Make up your Balustrade your-self with easy fitting instructions



TECHNICAL SUPPORT ON  
CUSTOMER DESIGN

Our handrail engineer team can offer technical support on customer design, based on your sample or drawing.

# Balustrade Components



sales@ezrails.co.za

**1** Once you've made your selection, use the item codes below to add the items to your shopping cart.

## PLAIN POSTS



Plain Post 50.8  
1m High Post (Top Fix)  
Code: PP.508.1.TF.04



Plain Post 38.1  
1m High Post (Side Fix)  
Code: PP.381.1.SF.04

## PLAIN POSTS



Plain Post 38.1  
1m High Post (Top Fix)  
Code: PP.TRC.381.1.TF.04



Plain Post 38.1  
1m High Post (Side Fix)  
Code: PP.TRC381.1.SF.04

## PLAIN POSTS



Plain Post 50.8  
1.2m High Post (Top Fix)  
Code: PP.50.8.1.2.TF.04

## IN-FILLS OPTIONS

Horizontal Tube

Vertical

Glass

Cable

Pool

Post Supplied with floor fixing Cover, top cap, and in-fill type From our list.



TECHNICAL SUPPORT ON  
CUSTOMER DESIGN

Our handrail engineer team can offer technical support on customer design, based on your sample or drawing.

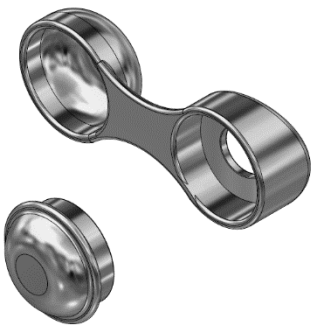
# Balustrade Components



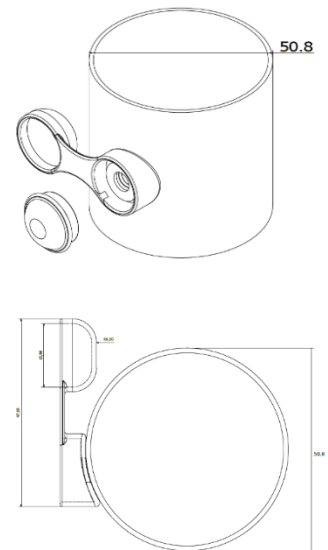
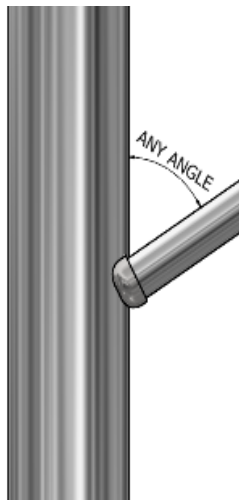
sales@ezrails.co.za

**1** Once you've made your selection, use the item codes below to add the items to your shopping cart.

## INFILL (Filler ) ACCESSORIES



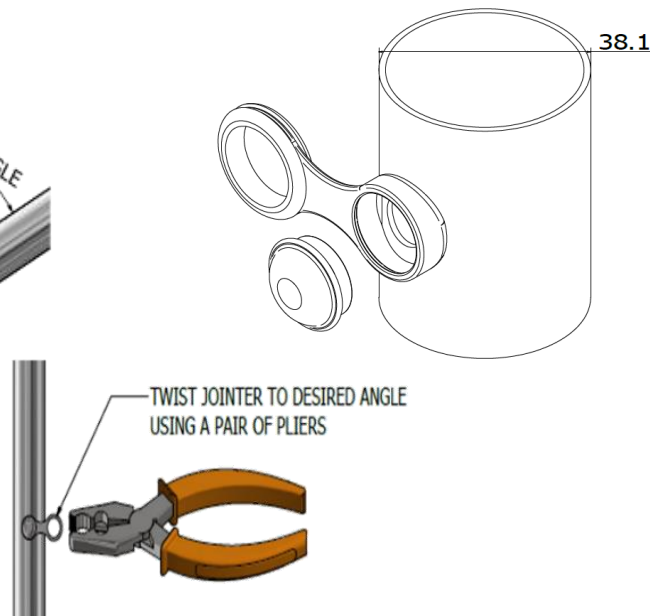
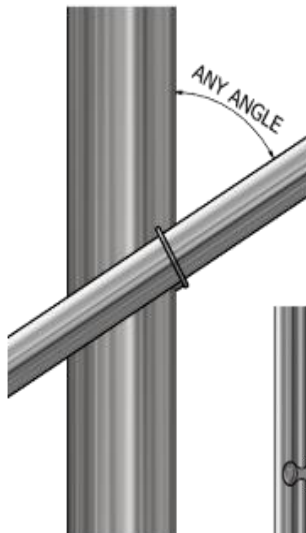
15.8 In-fill End  
Connector  
Code: J158.04



## INFILL (Filler ) ACCESSORIES



15.8 In-fill Middle  
Connector  
Code: MJ158.04





Our handrail engineer team can offer technical support on customer design, based on your sample or drawing.

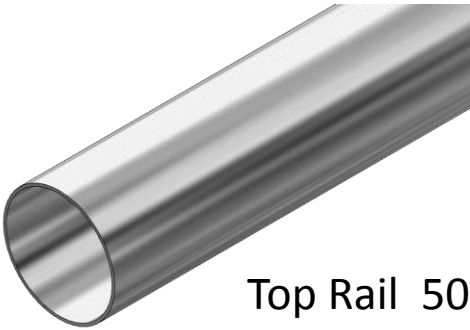
# Balustrade Components



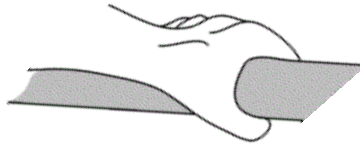
[sales@ezrails.co.za](mailto:sales@ezrails.co.za)

**1** Once you've made your selection, use the item codes below to add the items to your shopping cart.

## Top Railing

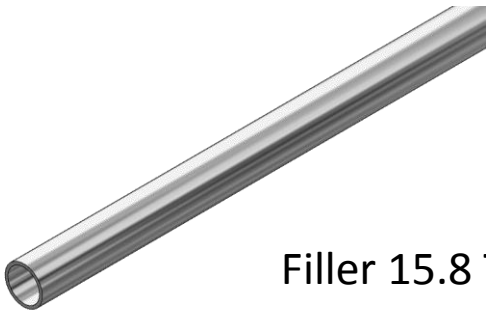


Top Rail 50.8 Tube  
Code: 6M.50.8



Top Rail  $\varnothing$ 50,8 Meranti  
Code: 3.6m.50.M

## Horizontal Tube Filler (in-fill)



Filler 15.8 Tube (In-fill)  
Code 6m.15.8

## Cable Filler (In-Fill)



Filler 4mm Cable (In-Fill)  
Code: C.4mm



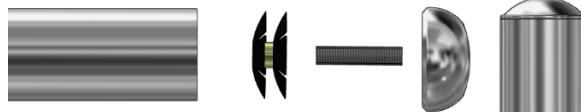
# Balustrade Components



sales@ezrails.co.za

**1** Once you've made your selection, use the item codes below to add the items to your shopping cart.

## Top Rail Sleeve Connector ACCESSORIES



**NB: Accommodates Straight Sections**



**Straight Top Rail Sleeve Connector Kit**  
Code: SCK.90.04

**Straight Top Rail Sleeve Connector**  
Code: SC.90.04

## Top Rail Sleeve Connector ACCESSORIES



**NB: Accommodates Any Stair Angle**



**Stair Top Rail Sleeve Connector Kit**  
Code: SCK.45.04

**Stair Top Rail Sleeve Connector**  
Code: SC.45.04



# Balustrade Components



sales@ezrails.co.za

**1** Once you've made your selection, use the item codes below to add the items to your shopping cart.

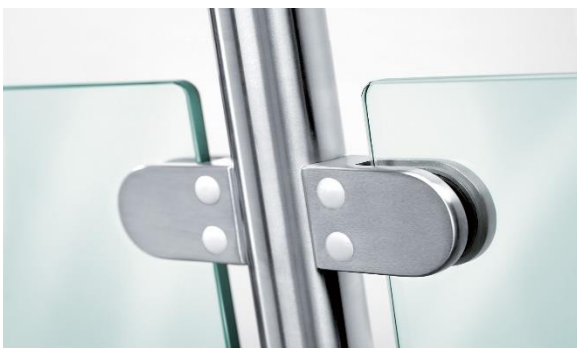
## Glass Clamps 8MM



**Glass Clamps 38.1 Radius**  
Code: GC.381.04.8

**Glass Clamps 50.8 Radius**  
Code: GC.381.04.8

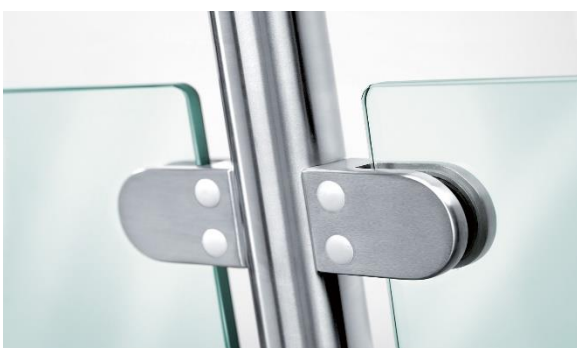
## Glass Clamps 10MM



**Glass Clamps 38.1 Radius**  
Code: GC.381.04.10

**Glass Clamps 50.8 Radius**  
Code: GC.381.04.10

## Glass Clamps 12MM



**Glass Clamps 38.1 Radius**  
Code: GC.381.04.12

**Glass Clamps 50.8 Radius**  
Code: GC.381.04.12



TECHNICAL SUPPORT ON  
CUSTOMER DESIGN

Our handrail engineer team can offer technical support on customer design, based on your sample or drawing.

# Balustrade Components



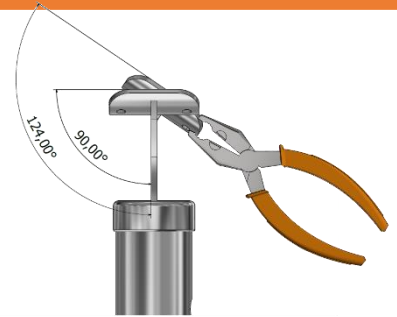
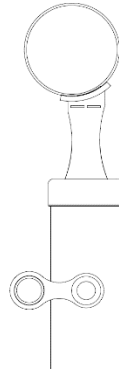
sales@ezrails.co.za

**1** Once you've made your selection, use the item codes below to add the items to your shopping cart.

## 38.1 Top Rail Connector for Round



**38.1 Top Rail Connector Round (OFF SET)**  
Code: TRC.381.T.04

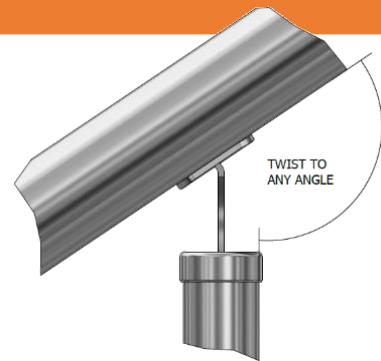
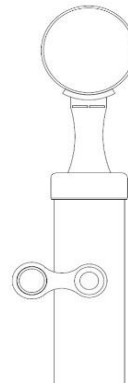


Self adjustable to suit any stair Angle

## 38.1 Top Rail Connector for Flat



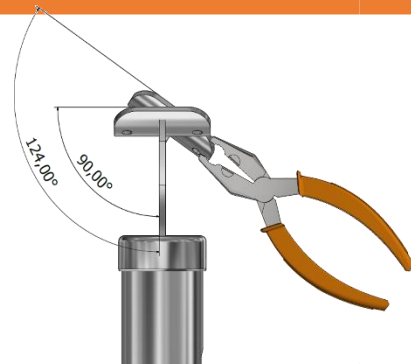
**38.1 Top Rail Connector Round (CENTER)**  
Code: TRC.381.G.C.04



Self adjustable to suit any stair Angle



**38.1 Top Rail Connector Flat**  
Code: TRC.381.F.04



Self adjustable to suit any stair Angle





**TECHNICAL SUPPORT ON  
CUSTOMER DESIGN**

Our handrail engineer team can offer technical support on customer design, based on your sample or drawing.

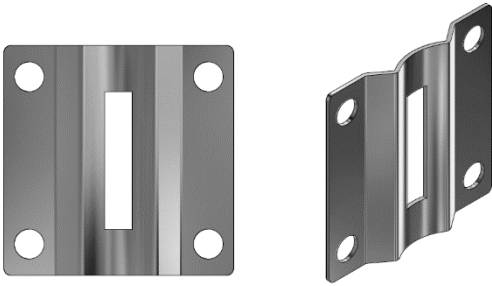
# Balustrade Components



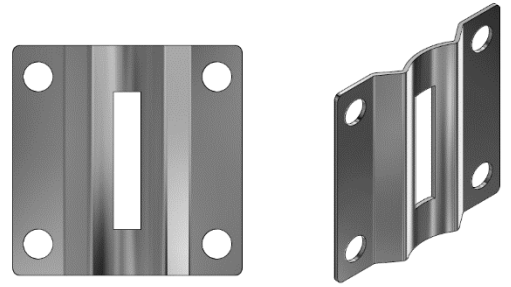
sales@ezrails.co.za

**1** Once you've made your selection, use the item codes below to add the items to your shopping cart.

## Side Fix Brackets



**50.8 Post Side Fixing Bracket**  
Code: SBR.508.180



**38.1 Post Side Fixing Bracket**  
Code: SBR.381.180

## Coach Screw

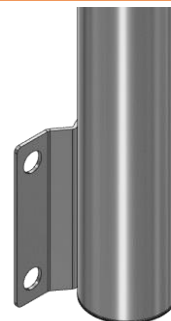
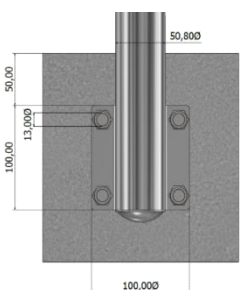


**M10X75 Coach Screw**  
Code:



**M12 Plug**  
Code:

## Side Fix Detail





**TECHNICAL SUPPORT ON CUSTOMER DESIGN**

Our handrail engineer team can offer technical support on customer design, based on your sample or drawing.

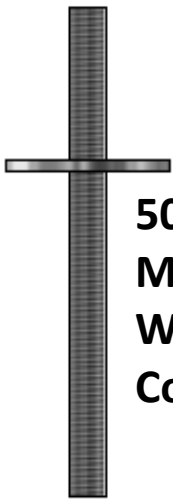
# Balustrade Components



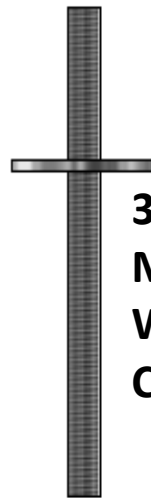
sales@ezrails.co.za

**1** Once you've made your selection, use the item codes below to add the items to your shopping cart.

## Post Fix Mounting Kit



**50.8 Post Fix Kit**  
**M16 X 150MM Thread Rod**  
**With Disc**  
**Code:TFD.508.150**

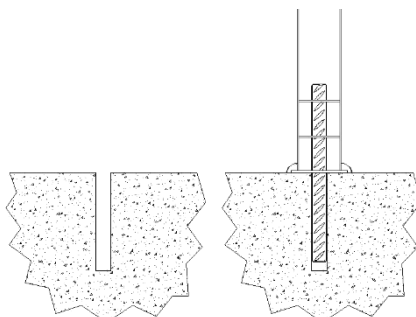


**38.1 Post Fix Kit**  
**M12 X 150MM Thread Rod**  
**With Disc**  
**Code:TFD.381.150**

## Post Fix Options

### Substrate

- Concrete
- Steel
- Wood
- Composite
- Glass





# Balustrade Components



sales@ezrails.co.za

**1** Once you've made your selection, use the item codes below to add the items to your shopping cart.

## Post Ball Top



**Ball Top**  
Code: B508.04

## End Caps



**End Caps 50.8**  
Code: EC.508.04

**End Caps 38.1**  
Code: EC.381.04

**End Caps 15.8**  
Code: EC158.04

## Cover Flange



**50.8 Cover Flange**  
Code:L508.04



**38.1 Cover Flange**  
Code:L381.04

## EZ Post Level



**EZ Post Level**  
Code: PL.01



TECHNICAL SUPPORT ON  
CUSTOMER DESIGN

Our handrail engineer team can offer technical support on customer design, based on your sample or drawing.

# Balustrade Components



[sales@ezrails.co.za](mailto:sales@ezrails.co.za)

**1** Once you've made your selection, use the item codes below to add the items to your shopping cart.

## Core Drill



**Core Drill Machine (Wet Type)**  
**CSN.6A.160**

**Core Drill Machine (Wet Type)**  
**CSN.4A.105**

## Core Drill Barrel



**42MM Core Drill Barrel**  
**Code: CBC.42.400**

**55MM Core Drill Barrel**  
**Code: CBC.55.400**

## SDS Drill Bit



**20MM SDS Drill Bit**  
**Code: SDS.20.150**





**TECHNICAL SUPPORT ON  
CUSTOMER DESIGN**

Our handrail engineer team can offer technical support on customer design, based on your sample or drawing.

# Balustrade Components



sales@ezrails.co.za

**1** Once you've made your selection, use the item codes below to add the items to your shopping cart.

## Frameless Glass Spigot Bracket



**50.8 Glass Spigot  
Frameless Bracket  
(Pin Fix )  
Code: FG.508.S.PF.04**



**50.8 Glass Spigot  
Frameless Bracket  
(Core Drill)  
Code: FG.508.S.OD.04**

## Glass Side Mount Frameless Handrail Bracket

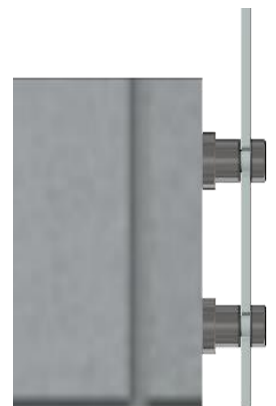


**50.8 Glass Side Mount Handrail Bracket  
Code:FG.508.SM.04**

## Glass Stand off Brackets



**50.8 Glass Stand Off Bracket  
Code:FG.508.SOB.04**





# Balustrade Components



[sales@ezrails.co.za](mailto:sales@ezrails.co.za)

**1** Once you've made your selection, use the item codes below to add the items to your shopping cart.

## 4mm 7x19 Strand Stainless Cable



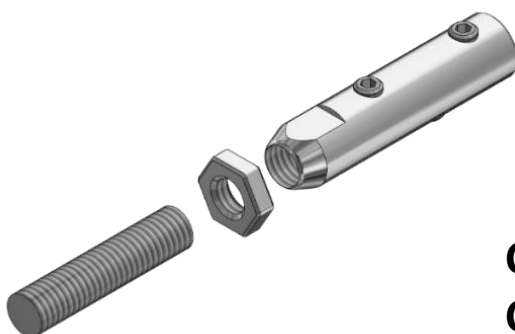
**4mm 7x19 Strand Stainless  
Code: C.4mm**

## 4mm Cable Fitting



**Cable Fitting Body  
Code: CF.4.04**

## 4mm Cable Fitting Kit



**Cable Fitting + M8x36mm Thread & Nut  
Code:CF.1.4.04**



TECHNICAL SUPPORT ON  
CUSTOMER DESIGN

Our handrail engineer team can offer technical support on customer design, based on your sample or drawing.

# Balustrade Components



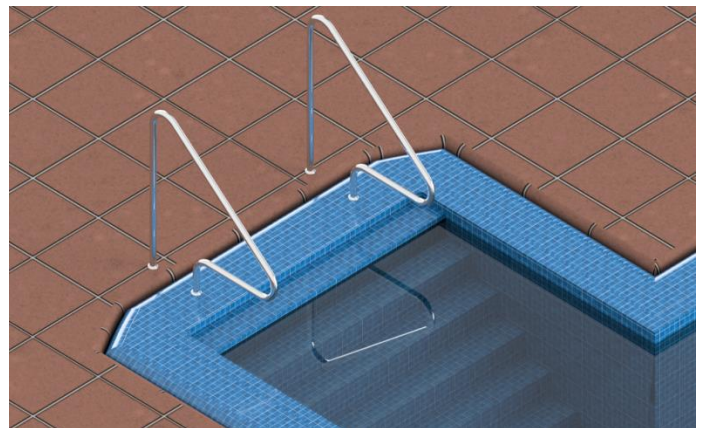
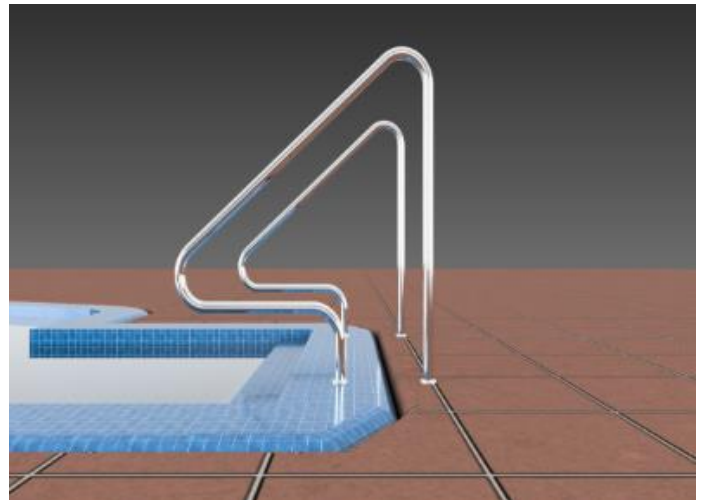
[sales@ezrails.co.za](mailto:sales@ezrails.co.za)

**1** Once you've made your selection, use the item codes below to add the items to your shopping cart.

## Pool Handrail



**Pool Handrail**  
**Code: P.008.381.04**





# Floating Stair Treads

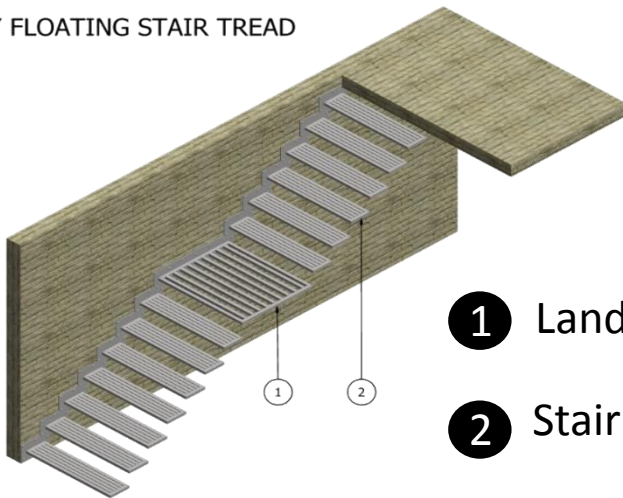


sales@ezrails.co.za

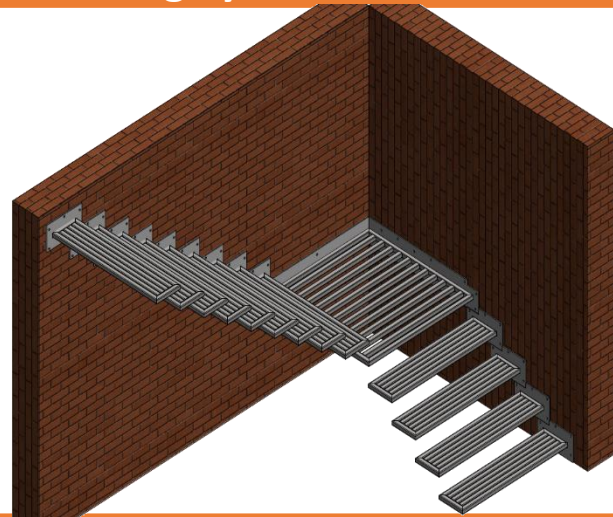
- 1 Once you've made your selection, use the item codes below to add the items to your shopping cart.

## Floating Stair Tread & Landing System

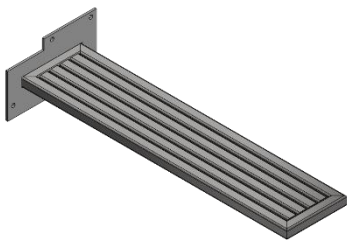
DIY FLOATING STAIR TREAD



- 1 Landing
- 2 Stair Tread



### Stair Tread



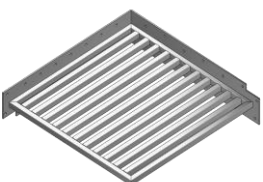
Stair Tread  
Code: T.MS

### Tread Landing



Tread Landing  
Code: T.180.MS

### Tread Corner Landing



Tread Corner Landing  
Code: T.90.MS





**TECHNICAL SUPPORT ON  
CUSTOMER DESIGN**

Our handrail engineer team can offer technical support on customer design, based on your sample or drawing.

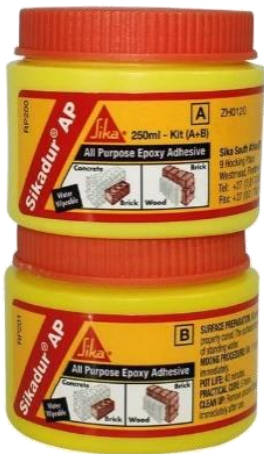
# Balustrade Components



sales@ezrails.co.za

**1** Once you've made your selection, use the item codes below to add the items to your shopping cart.

## Epoxy



1L Sika Epoxy A+B

Code:

5L Sika Epoxy A+B



300ML Sika Anchor fix

Code: Sika 300ml

## PRODUCT DATA SHEET

**Sikadur®-AP**  
All Purpose Epoxy Adhesive Paste  
USE

•General bonding and patching of Brick, concrete, wood, asbestos, ceramics, metal.

**CHARACTERISTICS AND ADVANTAGES**

- Easy to mix and apply.
- Components of different colours to ensure thorough mixing.
- Convenient 1 to 1 mix.
- Excellent adhesion.
- Can be applied to damp surfaces.
- Ideal for vertical and overhead applications.
- High abrasion resistance.
- Can be smoothed off with water.

•High abrasion resistance.

•Can be smoothed off with water.

**COLOUR**

Part A: White Part B: Light brown Part A+ B mixed: Beige

## Contact Us



# EZ Rails®

sales@ezrails.co.za • www.ezrails.co.za



### Head Office

1006 Ergon Road, 11 Keymax Park, Lyttelton Manor,  
South Africa

**Tel: 010 0407892**   [help@ezrails.co.za](mailto:help@ezrails.co.za)

**EZRAILS SOUTH AFRICA:** Johannesburg, Cape Town, Durban,  
Bloemfontein, Port Elizabeth, Polokwane, Nelspruit,

Full Service also offered in:

Zimbabwe, Botswana, Zambia, Mozambique, Namibia, Mauritius,

**EZ Rails®**