



**EZ Rails**<sup>®</sup>  
BALUSTRADING SOLUTIONS



# Made 2 Measure

## The Smart Balustrade Post Kit System

With Smart Assembly Features, saving you time & money

### The Company

We present ourselves as a company which has been manufacturing stainless steel accessories for over three decades. We specialise in balustrade & handrails balustrade systems, assisting the balustrading industry, to maintain high standards of quality & safety.

## Design, Innovation and Flexibility, The only True Balustrade kit Systems!

### A Quick rundown on the easy way of assembly:

- Plant your ready-made posts to the selected position and plant into place with our easy fix method.
- Once in place and planted, cut the top rail to size by cutting by hand, fit the top rail into the post sleeve by inserting the easy fix method. Secure to the post. There is no welding, mitring, nor expensive joints needed.
- Simply twist the tube infill to suit the stair angle you require. No fuss, no hassles. We have the solution.

The design of EZRail balustrade systems, has been designed and patented for the need for products that are functional.

EZRails readymade design innovations, follow the premise that sustainable design means doing the most with the least means.

Our products have been certified by SABS and meet all the safety aspects set for today's designer trends.

### Choose your Self Assembled Post Kit from the Easy Post Guide

Horizontal Tube

Glass with Top Rail

Glass without Top Rail

Pool

Cable

Vertical

Handrail Components options



# Glass with-out Top Rail Balustrade Material Guide



sales@ezrails.co.za

**1** Determine the Railing Materials you will need to complete your project.  
Follow steps A,B

**A** Measure the area where the railing is to be installed.

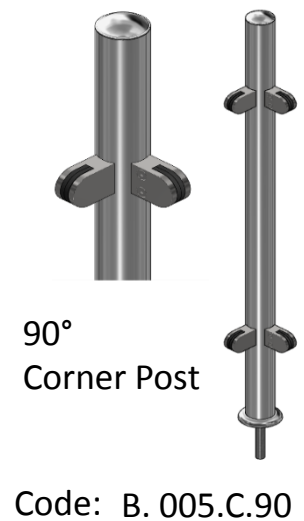
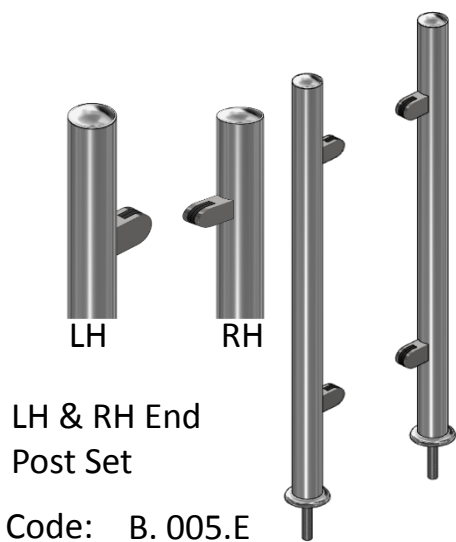
**B** Determine the Quantity of Posts needed.

**C** Determine the Quantity of Glass filler's needed.



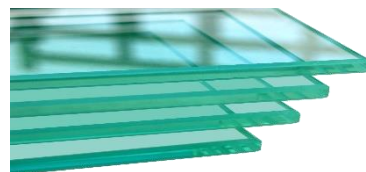
**2** Once you have made your selection, use the item codes below to add the items to your shopping cart.

## Now select Balcony Railing Posts



## Next, Select your Glass Filler (in-fill)

Filler, Glass (In-fill)



**Question?**

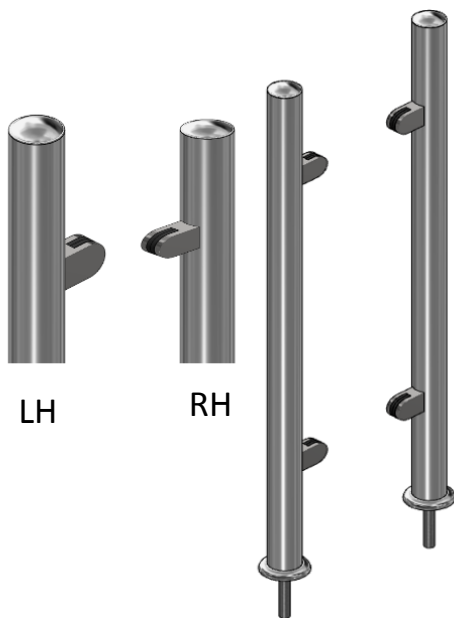
Give us a call at 012 653 0053 or send us an e-mail at:  
help@ezrails.co.za





# Glass with-out Top Rail Balustrade Material Guide

Now select your Balcony Railing Posts

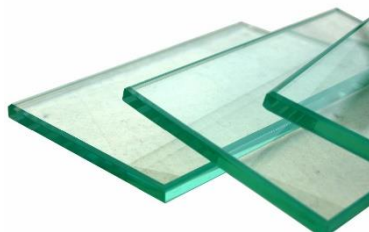


LH & RH End Post Set  
2x Posts

Code: B. 005.E



Select your Pool Railing Glass



Question?

Give us a call at 012 653 0053 or send us an e-mail at:  
[help@ezrails.co.za](mailto:help@ezrails.co.za)



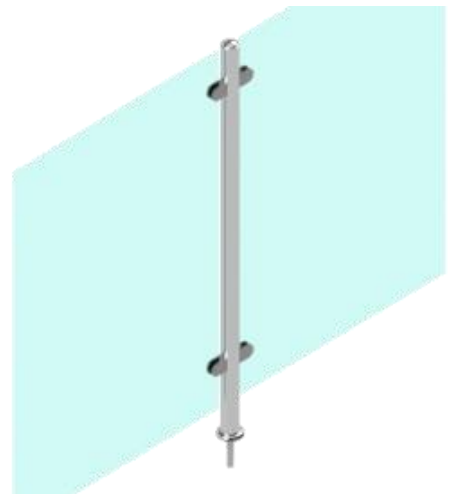
## Glass with-out Top Rail Balustrade Material Guide

Now select Balcony Railing Posts

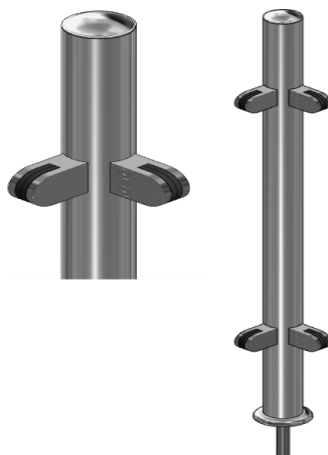


**180° Centre Post**

**Code: B.005.J.180**

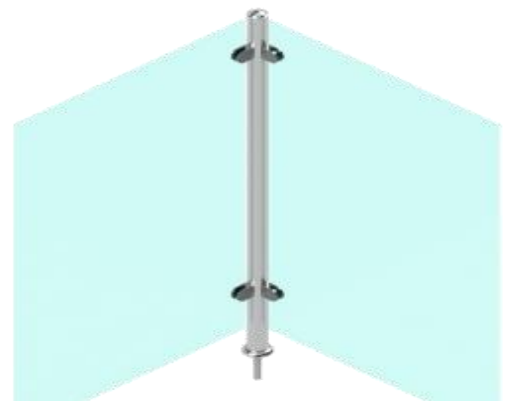


Now select Balcony Railing Posts



**90° Corner Post**

**Code: B. 005.C.90**



**Question?**

**Give us a call at 012 653 0053 or send us an e-mail at:  
help@ezrails.co.za**





# Glass with-out Top Rail Balustrade Material Guide

## Select your Post Fix Options

### Substrate

- Concrete
- Steel
- Wood
- Composite
- Glass

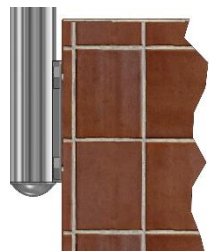
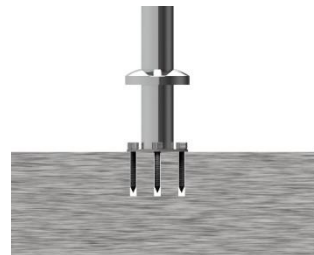


Substrate

Tread Fixing  
Top Fix

Flange Fix  
Top Fix

Side Fix



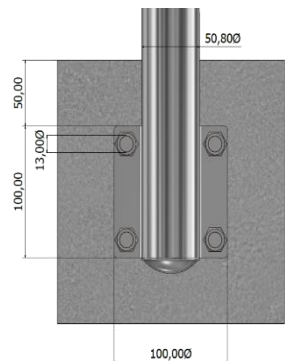
**M16/ M12 Stud Post Fixing**  
Threaded stud supplied separately



Sikadur Epoxy adhesive AP



**M12x75**



## Contact Us



# EZ Rails®

sales@ezrails.co.za • www.ezrails.co.za



### Head Office

1006 Ergon Road, 11 Keymax Park, Lyttelton Manor,  
South Africa

**Tel: 010 0407892**   [help@ezrails.co.za](mailto:help@ezrails.co.za)

**EZRAILS SOUTH AFRICA:** Johannesburg, Cape Town, Durban,  
Bloemfontein, Port Elizabeth, Polokwane, Nelspruit,

Full Service also offered in:

Zimbabwe, Botswana, Zambia, Mozambique, Namibia, Mauritius,

**EZ Rails®**